

Smart Video Phone EWPD-715

COMPANIES MAKE SMART LIFE AND SAFE HOUSING CULTURE

EWPD-715

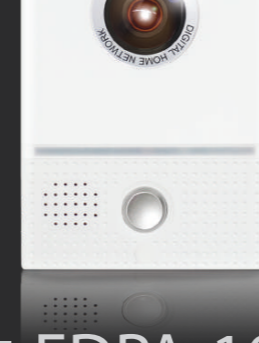


- 7 inch Touch screen
- Visitor video storing(memory card)
- Electronic pictures frame
- Communicate with other house
- Elevator call
- 1 Main phone + 9 Sub phone : Both way communication.

EPiK Video Phone



EWPD-715



EDPA-103



www.epik.co.kr

Smart Video Phone EWPD-715

COMPANIES MAKE SMART LIFE AND SAFE HOUSING CULTURE

Functionality

- 7 inch Touch screen
- Visitor video storing(memory card)
- Electronic pictures frame
- Communicate with other house
- Digital Communicate with guard office (Public entrance, Individual entrance)
- Video talk and door lock release enable
- Elevator call

Specification

Power	AC 90~240V 50/60Hz
Display	7 inch Touch screen
call type	Hands free
Size	W272 x H158 x D30 mm
Wire	Door Camera 4 Cable (Polarity) Common UTP (Cat 5E)

- 1 Main phone + 9 Sub phone : Both way communication.



EWPD-715

Functionality

- High bright LED Application
- Visitor video transmission
- Simultaneous calling system

Specification

Power	DC 12V
Size	W87 x H135 x D16 mm
Wire	Monitor 4 Cable (Polarity)



EDPA-103



www.epik.co.kr

Epik System Co.,LTD.

83, Malgeunnae 1-gil, Gunpo-si, Gyeonggi-do, Korea 15849

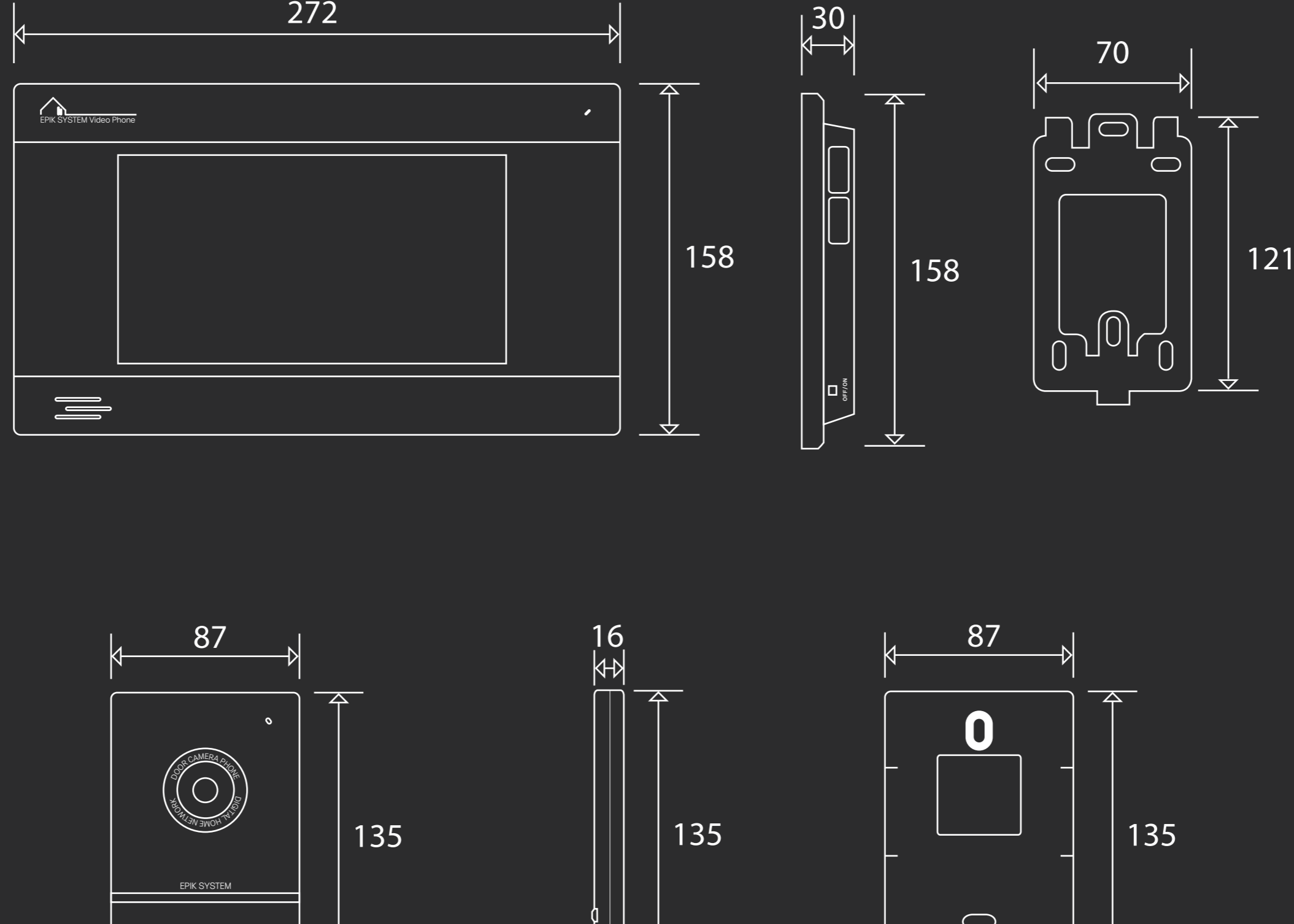
Tel : 82-2-2026-6633 Fax : 82-31-429-7116

Email : john@epik.co.kr

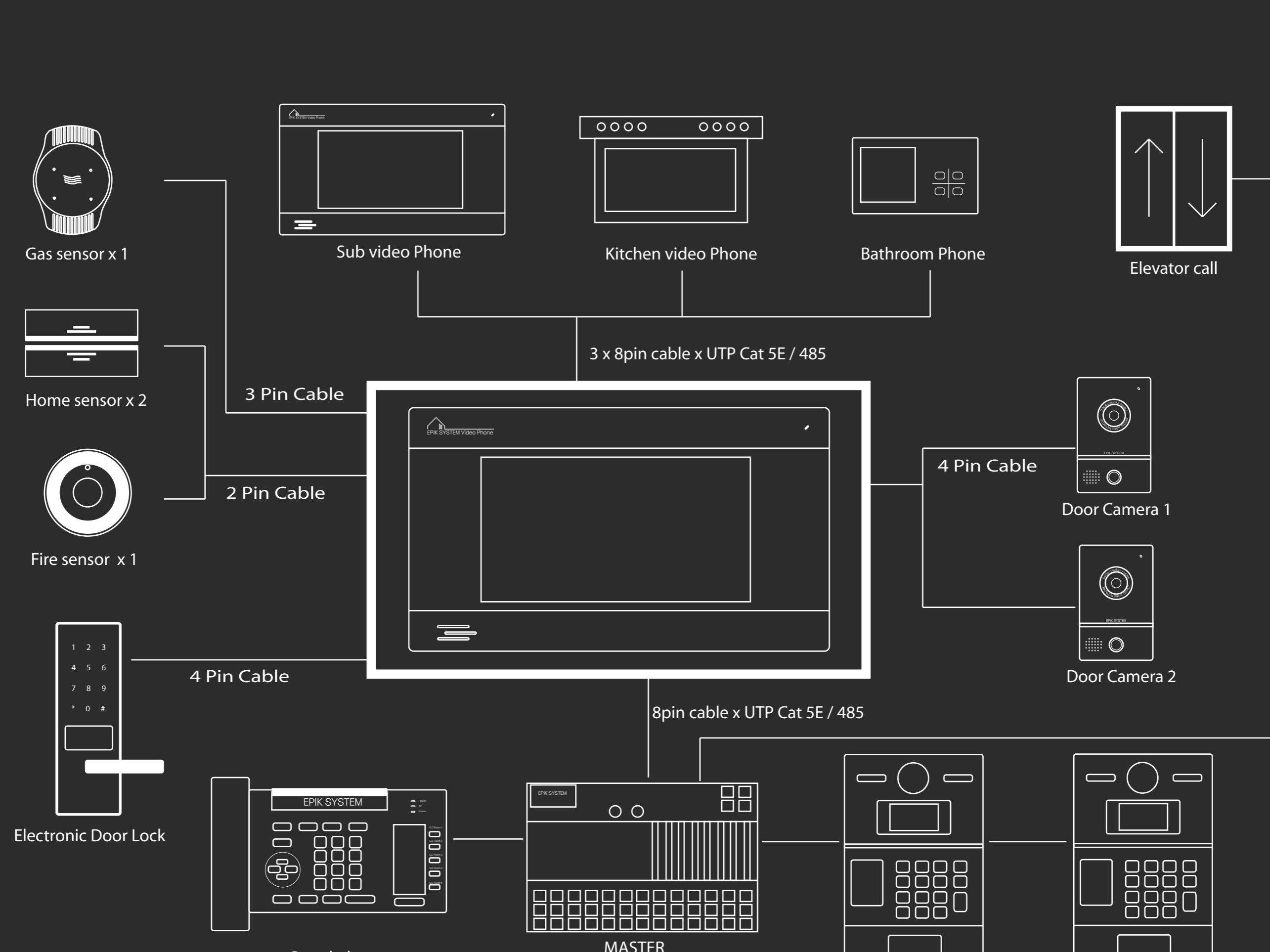
Make your life Digital & Smart !

Product Size

Convenient and Practical Color Video Phone Series of EPiK SYSTEM



Apartment system



Housing system

